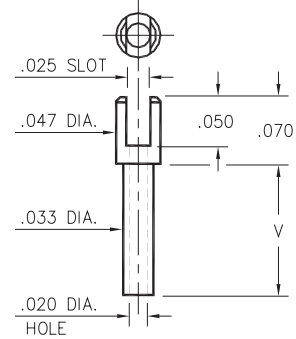


2104

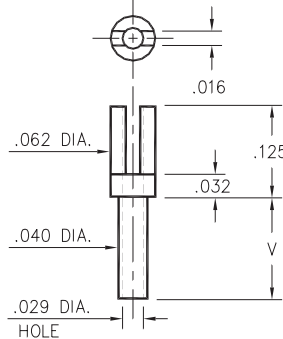


- X -	Board Thickness	Length V
1	.031	.055
2	.062	.086
3	.094	.117
4	.125	.148

2104-X-01-XX-00-00-07-0

Swage mount in .036 hole

2112

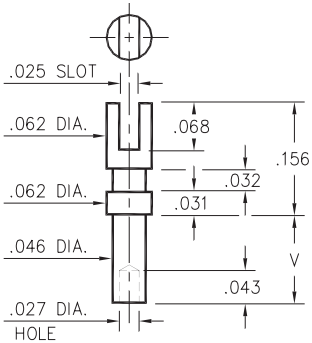


- X -	Board Thickness	Length V
5	.016	.037
1	.031	.053
2	.062	.084
3	.094	.115
4	.125	.147

2112-X-01-XX-00-00-07-0

Swage mount in .043 hole

2105

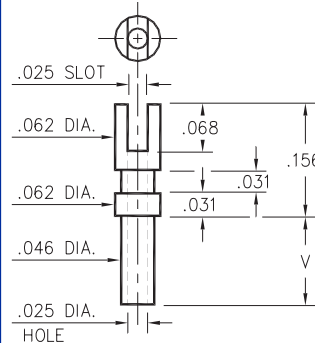


- X -	Board Thickness	Length V
1	.031	.055
2	.062	.086
3	.094	.117
4	.125	.149

2105-X-01-XX-00-00-07-0

Swage mount in .052 hole

2103

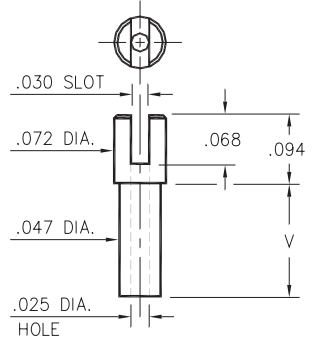


- X -	Board Thickness	Length V
1	.031	.058
2	.062	.089
3	.094	.120
4	.125	.150

2103-X-01-XX-00-00-07-0

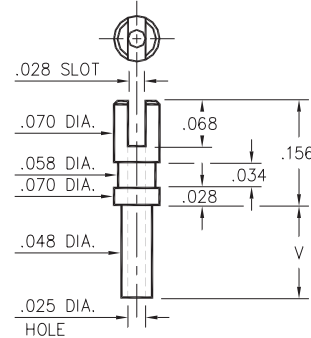
Swage mount in .052 hole

2106/2107



2106-X-01-XX-00-00-07-0

Swage mount in .052 hole



2107-X-01-XX-00-00-07-0

Swage mount in .052 hole

- X -	Board Thickness	Length V
1	.031	.051
2	.062	.082
3	.094	.113
4	.125	.145

SPECIFICATIONS

PIN MATERIAL:
Brass Alloy 360, 1/2 Hard
Swage pins are annealed

DIMENSION IN INCHES
TOLERANCES ON:
LENGTHS: ±.005
DIAMETERS: ±.002
ANGLES: ± 2°

ORDER CODE: 21XX - X - 01 - XX - 00 - 00 - 07 - 0

BASIC PART #

SPECIFY PIN FINISH:

01 200µ" TIN/LEAD OVER NICKEL

80 200µ" TIN OVER NICKEL ◊

44 300µ" SILVER OVER COPPER ◊

50 300µ" ELECTRO-SOLDER
(60/40 SnPb)

